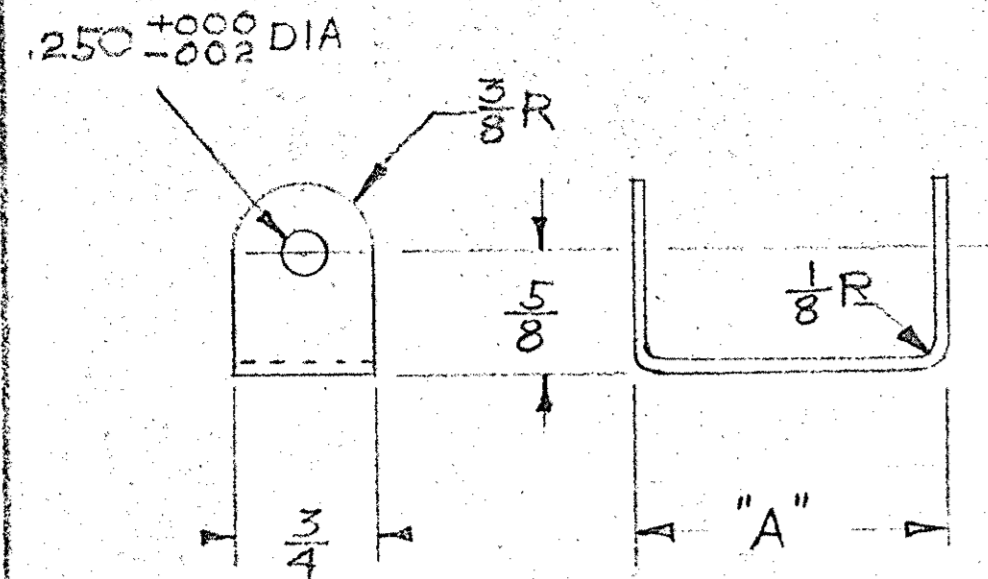


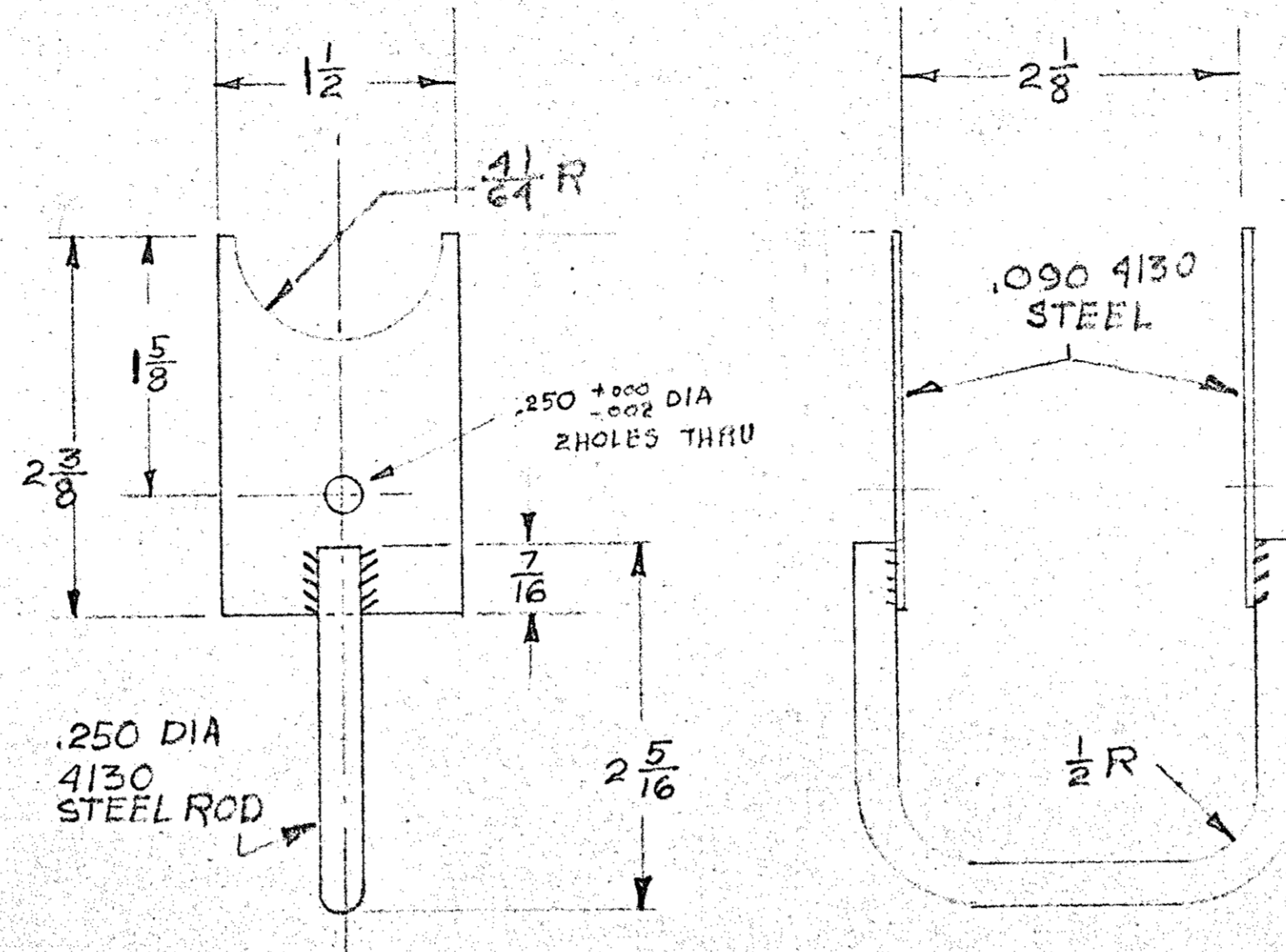
LH SHOWN
RH OPPOSITE

-201 FITTING
INTERPLANE STRUT - FRONT
MATL = 063 4130 STEEL
MAKE 8 (4 LH & 4 RH)

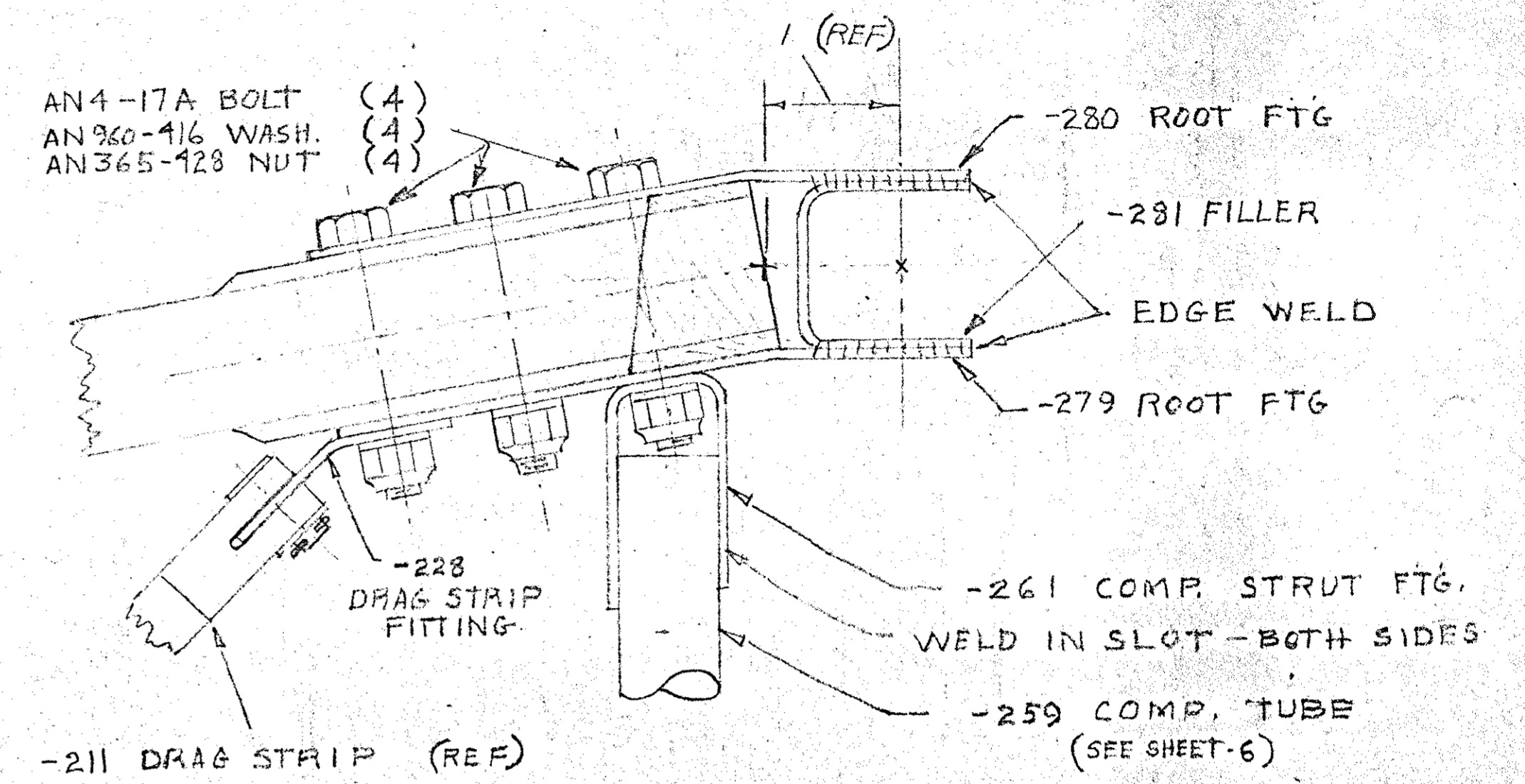


DASH NO.	NO. REQD	"A"
-220	2	1 1/2
-221	6	2

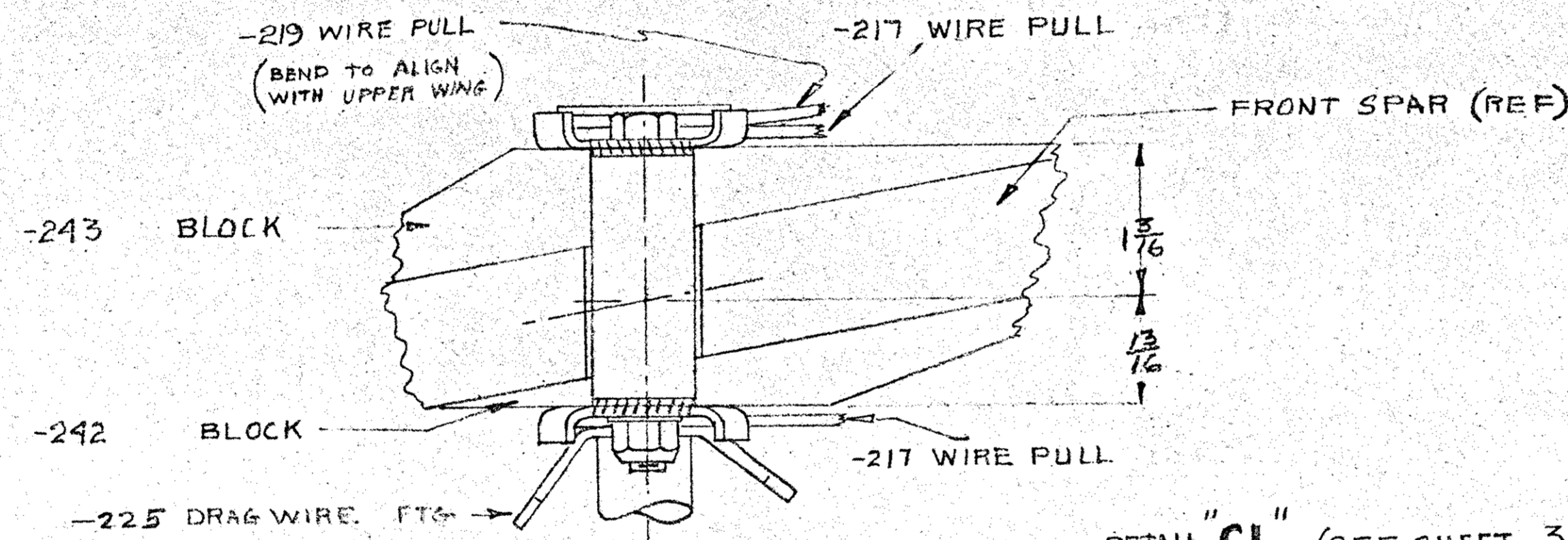
FILLER-FITTING - INTERPLANE STRUT
MATL = 063 4130 STEEL
- SEE TABLE FOR REQ'TS -



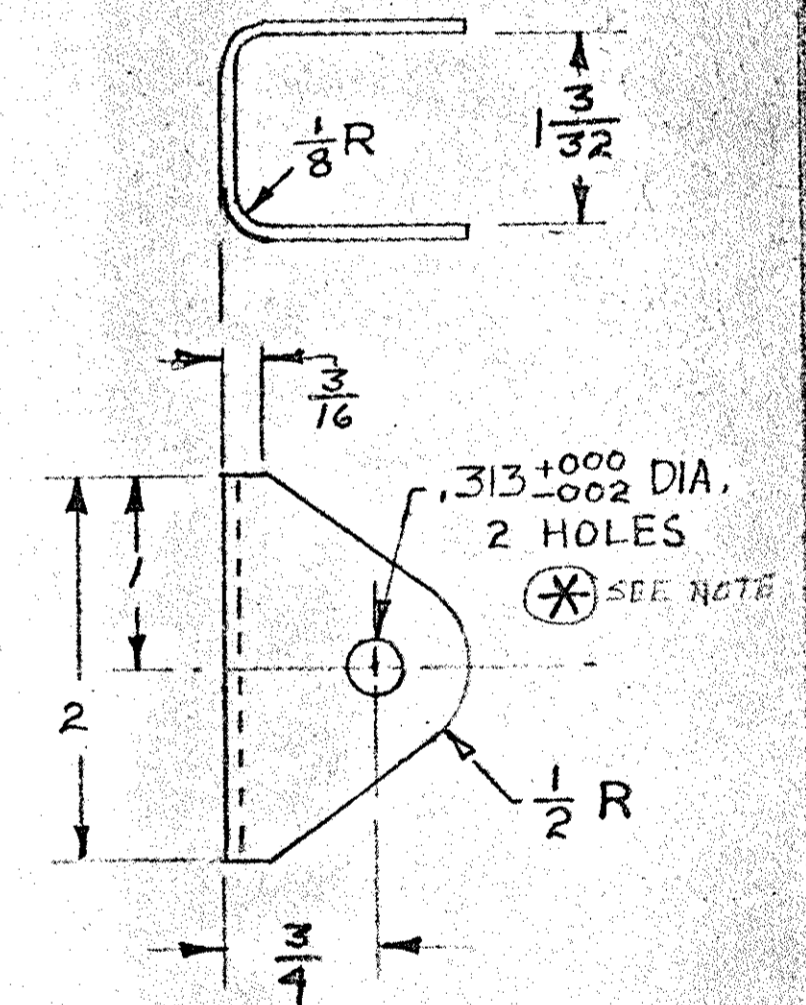
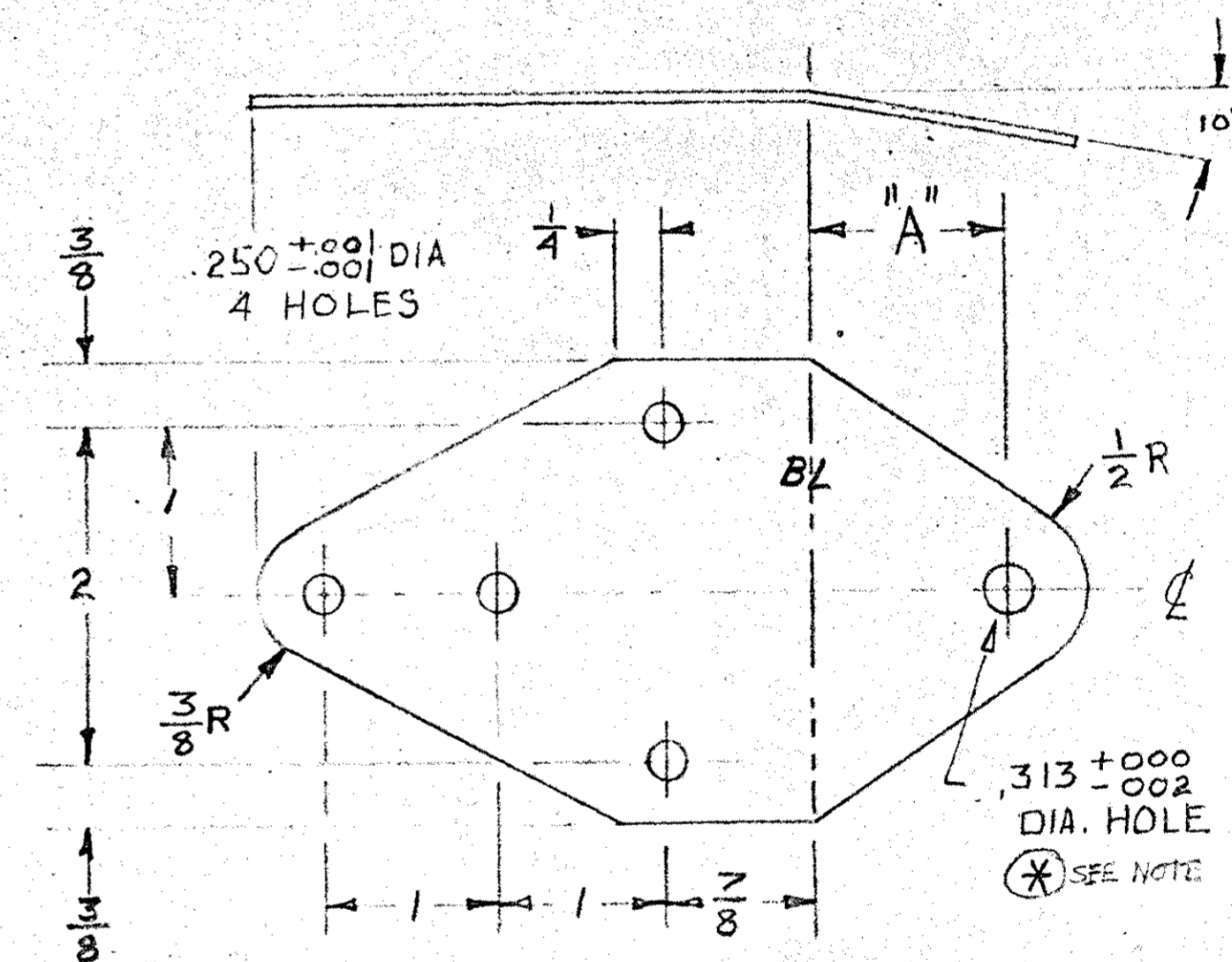
-282 TIE-DOWN RING
MATL = NOTED
MAKE 2



DETAIL "AL" (SEE SHEET-3)
LOWER FRONT ROOT FITTING
REAR SIMILAR



DETAIL "CL" (SEE SHEET 3)
LOWER FRONT INTERPLANE FITTING

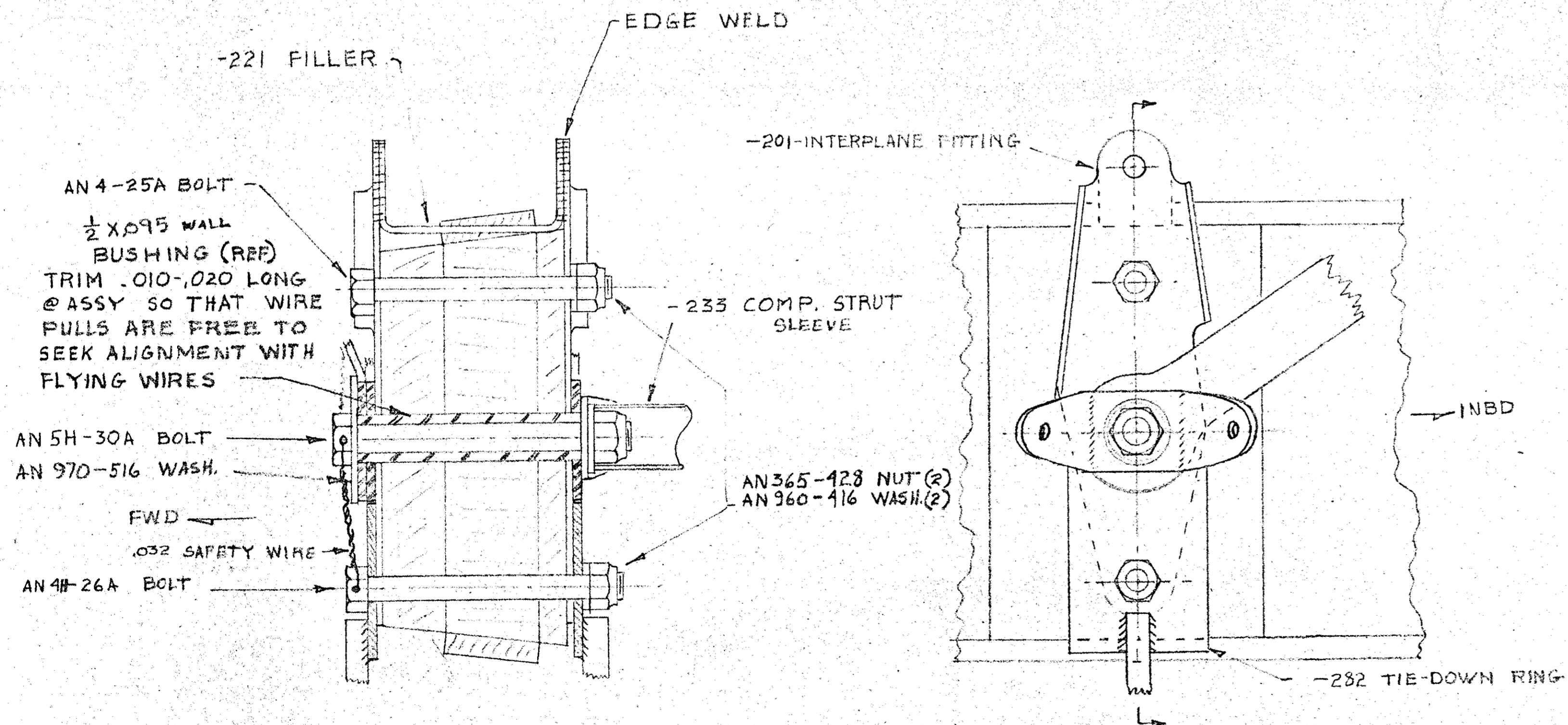


-281 FILLER
ROOT FTG - LOWER WING
MATL = 063 4130 STEEL
MAKE 4

DASH NO.	NO. REQD	"A"
-279	4	2/8
-280	4	1/8

PLATE
ROOT FTG - LOWER WING
MATL = 063 4130 STEEL
- SEE TABLE FOR REQ'TS -

⊗ NOTE - DRILL PILOT HOLE
1/4 IN DIA. - REAM THRU ON
ASSY. TO FUSELAGE (.313")



MARGUART MA-5		ED MARGUART R.O. BOX 8032 RIVERSIDE, CAL. 92509	
"Charger"			
DRN.	8-66	WING FITTING'S LOWER	
CHK.	1-70		
REV.	6-71		
TR.	1-72		
PRINT SER. NO.	0236		
SCALE: FULL		SHEET: 9 OF	